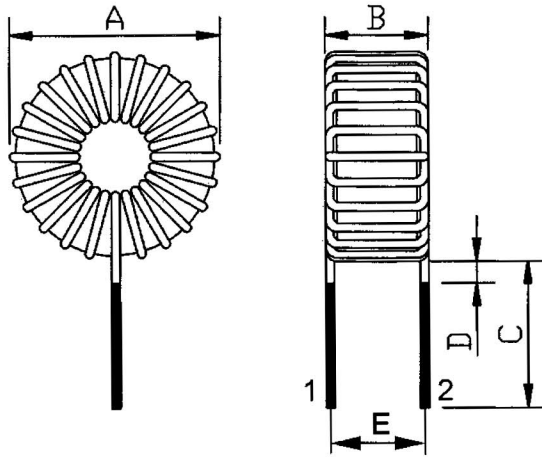


1. MATERIAL , WINDING

CORE	CT150-26 & CT150-26A	WIRE	ϕ 2.0mm (1PEW)
TURNS	(1-2) 50T (ref.)		

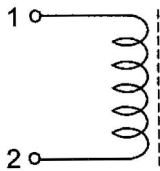
2. DIMENSIONS (UNIT : mm)



A	ϕ 49.0 Max.
B	32.0 Max.
C	10.0 \pm 2.0
D	1.5 Max.
E	25.0 (ref.)



3. CIRCUIT



4. CHARACTERISTICS

ITEM	SPEC. (1 - 2)	TESTING CONDITION	MEASUREMENT INSTRUMENT
INDUCTANCE	400.0 μ H \pm 20%	10kHz/0.1mA	HP-4284A
Rdc	25.0m Ω Max.	at 25 $^{\circ}$ C	HP-34420A
RATED CURRENT	13.0A (Typ.)	Δ T=40 $^{\circ}$ C	HP-6651A
	18.0A (Typ.)	Δ T=60 $^{\circ}$ C	HP-34420A